

6300 Straight Round Entrance Pull Handles



Advantages at a glance

- 316 Marine Grade Stainless Steel
- Designed with your project's needs in mind
- High durability with concealed fixings
- Standard finishes: SSS and PSS
- Powdercoat and custom finishes available on request

dormakaba's straight round entrance pull handles epitomize the high quality ambitions of the dormakaba brand - designed for excellence down to the very last detail and exuding fine craftsmanship. They offer genuine quality, characterised by clearly defined features - irrespective of shape or size.

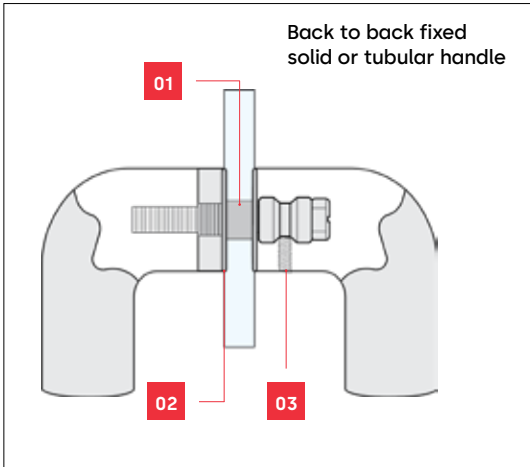
Created in premium 316 Marine Grade Stainless Steel offering superior corrosion resistance for internal and external use in high traffic buildings. The round section allows comfortable ease of use.

The 6300 entrance pull handles are an ideal choice for residential and commercial applications and are suitable for use on glass, timber and aluminium doors.

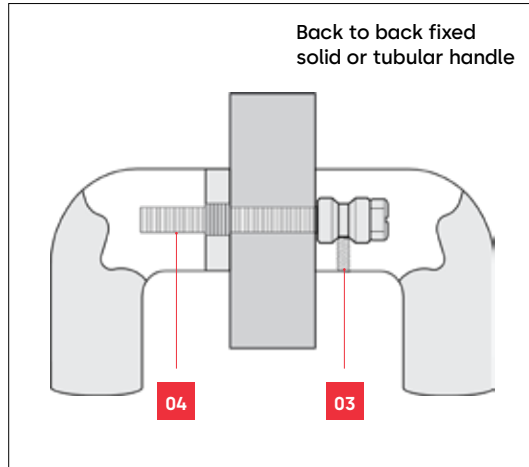
Refer to ordering details for a range of optional accessories to suit:

- Back to back extended fixing for timber doors
- Back to back fixing for glass doors
- Disc fixing for timber doors
- Disc fixing for glass doors

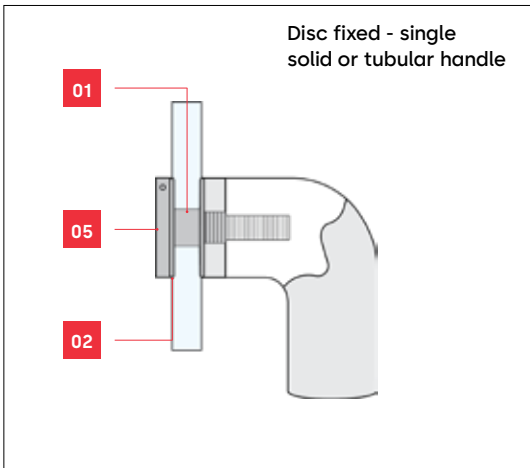
Fixing options



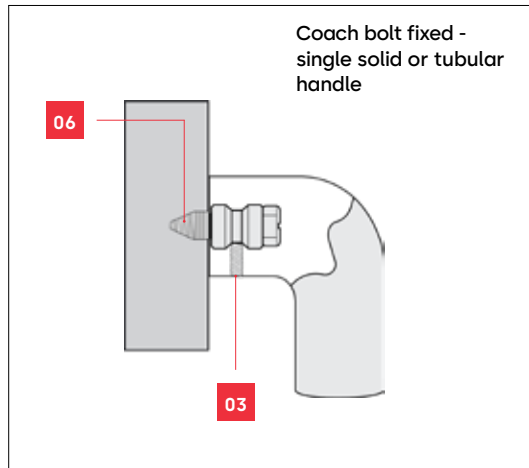
GD FIX - glass doors



TM FIX - timber or metal doors



D FIX - glass, metal or timber doors



C FIX - timber doors only

Note

Nylon spacers and washers are included with handle for glass door fixing option.

Legend

- 01 Spacer
- 02 Washer
- 03 Grub Screw
- 04 Bolt
- 05 Disc
- 06 Coach Bolt

TIMBER DOOR FIXING

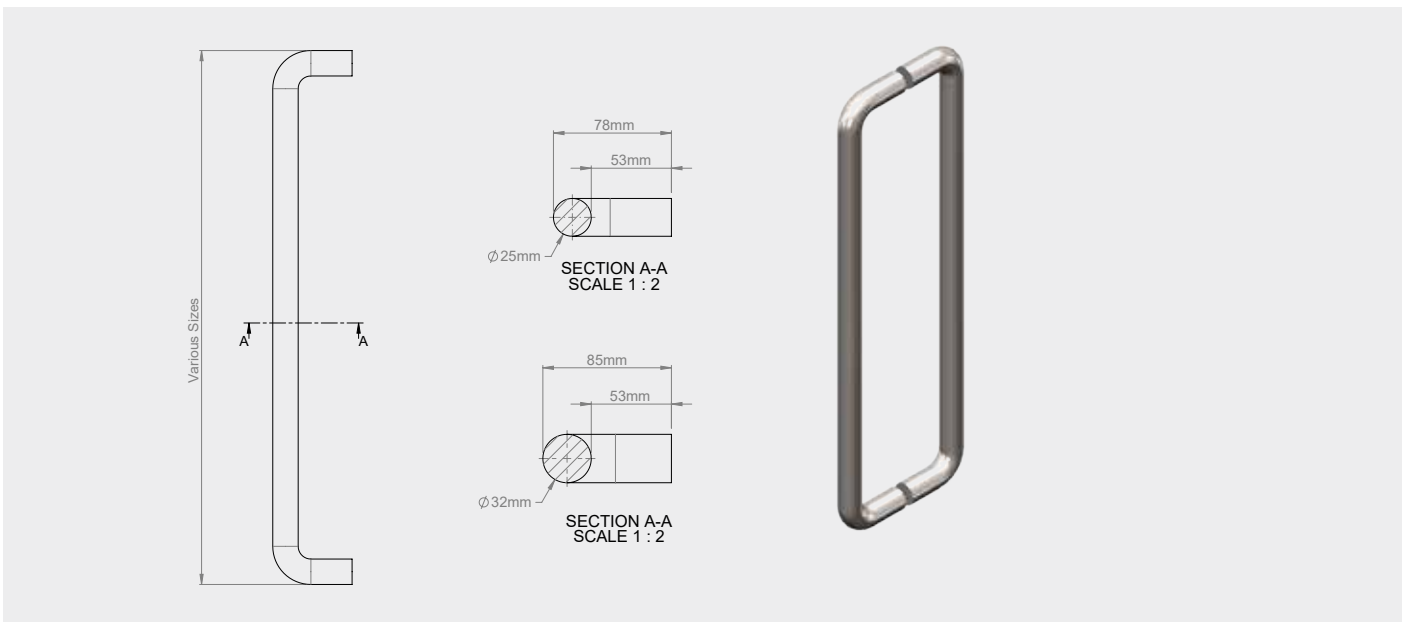
Material Size	Bolt Size
14mm Ø	5mm
16mm Ø	5mm
19mm Ø	8mm
25mm Ø	8mm
32mm Ø	8mm

METAL DOOR FIXING

Material Size	Bolt Size
14mm Ø	5mm
16mm Ø	5mm
19mm Ø	8mm
25mm Ø	8mm
32mm Ø	8mm

GLASS DOOR FIXING

Material Size	Bolt Size
14mm Ø	12mm Ø
16mm Ø	12mm Ø
19mm Ø	12mm Ø
25mm Ø	12mm Ø
32mm Ø	12mm Ø



6300 Straight Round dimensions

Ordering details

Item	Article Number	Description	Diameter	Length	Fixing Centres
BACK TO BACK FIXING					
B6300/S/25/SF	9400000016440	B6300/S/25 OA 625 CTC 600 SF	25mm	75mm	600mm
B6300/S/25/PSS	9457304734102	B6300/S/25 OA 625 CTC 600 PSS	25mm	75mm	600mm
B6300/S/25/SSS	9457304734101	B6300/S/25 OA 625 CTC 600 SSS	25mm	75mm	600mm
B6300/S/32/SF	9400000016441	B6300/S/32 OA 632 CTC 600 SF	32mm	85mm	600mm
B6300/S/32/PSS	9457304735102	B6300/S/32 OA 632 CTC 600 PSS	32mm	85mm	600mm
B6300/S/32/SSS	9457304735101	B6300/S/32 OA 632 CTC 600 SSS	32mm	85mm	600mm
B6300/U/25/SF	9400000016442	B6300/U/25 OA 425 CTC 400 SF	25mm	75mm	400mm
B6300/U/25/PSS	9457303534102	B6300/U/25 OA 425 CTC 400 PSS	25mm	75mm	400mm
B6300/U/25/SSS	9457303534101	B6300/U/25 OA 425 CTC 400 SSS	25mm	75mm	400mm
B6300/U/32/PSS	9457303535102	B6300/U/32 OA 432 CTC 400 PSS	32mm	85mm	400mm
B6300/U/32/SF	9400000016443	B6300/U/32 OA 432 CTC 400 SF	32mm	85mm	400mm
B6300/U/32/SSS	9457303535101	B6300/U/32 OA 432 CTC 400 SSS	32mm	85mm	400mm
B6300/V/25/SF	9400000016444	B6300/V/25 OA 325 CTC 300 SF	25mm	75mm	300mm
B6300/V/25/PSS	9457302844102	B6300/V/25 OA 325 CTC 300 PSS	25mm	75mm	300mm
B6300/V/25/SSS	9457302844101	B6300/V/25 OA 325 CTC 300 SSS	25mm	75mm	300mm
B6300/V/32/SF	9400000016445	B6300/V/32 OA 332 CTC 300 SF	32mm	85mm	300mm
B6300/V/32/PSS	9457302845102	B6300/V/32 OA 332 CTC 300 PSS	32mm	85mm	300mm
B6300/V/32/SSS	9457302845101	B6300/V/32 OA 332 CTC 300 SSS	32mm	85mm	300mm

ACCESSORIES - EXTENDED FIXINGS - sold as a pair

TM/M8/50	9459508058200	M8/50 FERULE HEAD BOLT TM FIX	<p>Note: When ordering extended fixings please use the below formula.</p> <p>Door thickness + 20mm for the Ferule + 10mm in to the other handle = round up to the nearest size offered.</p>
TM/M8/75	9459758078200	M8/75 FERULE HEAD BOLT TM FIX	
TM/M8/90	9400000012887	M8/90 BOLT & 16MM FERULE TM FIX	
TM/M8/100	9400000012888	M8/100 BOLT & 16MM FERULE TM FIX	
TM/M8/110	9459118118200	M8/110 BOLT & 16MM FERULE TM FIX	
TM/M8/120	9459128128200	M8/120 BOLT & 16MM FERULE TM FIX	
TM/M8/130	9459138138200	M8/130 BOLT & 16MM FERULE TM FIX	
TM/M8/150	9459158158200	M8/150 BOLT & 16MM FERULE TM FIX	

ACCESSORIES - GLASS FIXINGS - sold as a pair

GF25/M8/50 RND	9459502588301	25 DIA RND GLASS FIXING PAIRS
GF32/M8/50 RND	9459503288301	32 DIA RND GLASS FIXING PAIRS

ACCESSORIES - EXTENDED FIXINGS - sold as a pair

DF25/M8/75 PSS	9459752588102	25MM DISK FIX PAIR M8X75MM PSS
DF25/M8/75 SSS	9400000014108	25MM DISK FIX PAIR M8X75MM SSS
DF32/M8/75 PSS	9459753288102	32MM DISK FIX PAIR M8X75MM PSS
DF32/M8/75 SSS	9400000014109	32MM DISK FIX PAIR M8X75MM SSS

Ordering details

Item	Article Number	Description	Diameter	Length	Fixing Centres
ACCESSORIES - GLASS FIXINGS - sold as a pair					
GDF25/M8/50 PSS	9459502588102	25MM GLASS DISK FIX PSS PAIR M8X50MM			
GDF25/M8/50 SSS	9459502588101	25MM GLASS DISK FIX SSS PAIR M8X50MM			
GDF32/M8/50 PSS	9459503288102	32MM GLASS DISK FIX PSS PAIR M8X50MM			
GDF32/M8/50 SSS	9459503288101	32MM GLASS DISK FIX SSS PAIR M8X50MM			
ACCESSORIES - DISC FIX & CONCEALED FIXING KITS					
	94000000 16706	DISK FIX KIT 25MM SF			
	94000000 16707	DISK FIX KIT 32MM SF			
	94000000 16703	DISK FIX KIT 25MM			
	94000000 16704	DISK FIX KIT 32MM			
	94000000 16705	CONCEALED FIXING KIT			

Any questions? We would be happy to advise you.